

# Syalon Protection Tubes Datasheet

## Benefits

- Non-wetting for most non-ferrous metals at temperatures up to 1832°F - 1000°C
- Virtually no degradation by aggressive melts
- Resistant to attack from fluxing salts and chlorine at 1472°F - 800°C
- Chemically inert and no contamination of melt
- Fine grain, densely fused technical ceramic
- Excellent thermal shock and thermal cycling capabilities
- No pre-heat necessary

## Typical Applications

- High purity melts
- Areas where changing elements is difficult or dangerous
- High velocity molten aluminium exposure

## General Information

Syalon is a remarkably strong ceramic, but like all ceramic materials it possesses little or no ductility, so it should not be subjected to impact cleaning or fitting procedures.

## Pre-heating

Syalon has a good resistance to thermal shocks. Whilst it may not be necessary to pre-heat the tube in applications under 750°C, it is recommended that the tube should be held about the entry port for a short period prior to immersion. Pre-heating is necessary for applications above 750°C. Avoid direct contact with flames, use preheating material.



Introduced to the aluminium industry over a decade ago, Syalon is a high density, technical ceramic.



Marmon Electrical  
A Berkshire Hathaway Company



**CCPI Europe**  
Excellence in Temperature Measurement

• Temperature Sensors • Wire & Cable • Calibration • Servicing

+44 (0)1909 775 333

sales@ccpi-europe.com

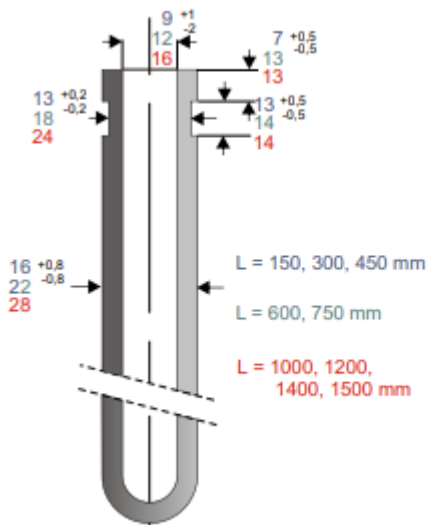
www.ccpi-europe.com



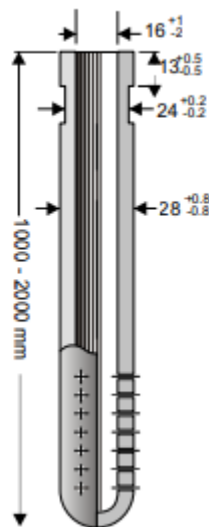
# Syalon Protection Tubes Datasheet

Diameters (MM)	Length (MM)	Length (IN)
28 OD X 16 ID	152 mm – 1981 mm	6" – 78"
22 OD X 12 ID	152 mm – 1981 mm	6" – 78"
16 OD X 9 ID	152 mm – 1499 mm	6" – 59"
12.5 OD X 6.5 ID	152 mm – 889 mm	6" – 35"

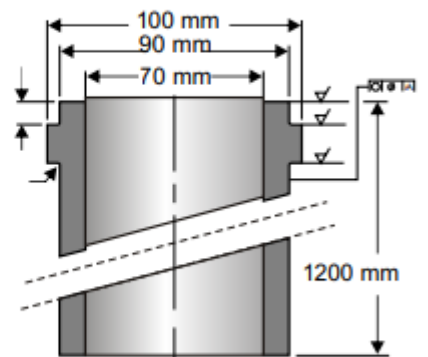
**OD** = Outside Diameter  
**ID** = Inside Diameter



Protection Tube



Fluxing Tube



Riser Tube (example)



• Temperature Sensors • Wire & Cable • Calibration • Servicing

+44 (0)1909 775 333

sales@ccpi-europe.com

www.ccpi-europe.com



Marmon Electrical  
 A Berkshire Hathaway Company